



CLB



CLT



Container lifting lug CLB



Container lifting lug CLT

CLB/CLT Container lifting lugs

Working load limit (WLL) 32000 - 56000 kg

These container lifting lugs are supplied, and used, in sets of 4. They have a total lifting capacity of up to 56 tonne. The CLB and CLT lugs serve as flexible lashing points for the transportation of containers.

Two types are available dependant upon where you want to fasten them; to the side or the top of the container.

The CLB model is mounted horizontally to the side of the container at either the top or the bottom fixing holes. This model has a spring loaded bolt to prevent accidental release.

The CLT type is vertically mounted in the hole at the top of the container and is locked into place by simply turning the lug 90°. This configuration allows for transportation via the use of a lifting frame in conjunction with cables, chains or slings.

Product group: I2

INFO

Not to be used on a 4 leg chain sling.

Shackles not supplied.

Spare locking pins available for CLB

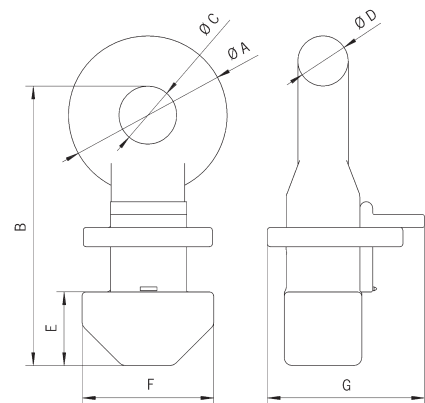
Technical data CLB and CLT

| Model | Art.-No. | *WLL kg | Type of lifting | Sling angle from vertical | *Weight kg |
|-------|-----------|---------|-----------------|---------------------------|------------|
| CLB | N53508014 | 32000 | side | 50° | 20 |
| CLB | N53508014 | 50000 | side | vertical | 20 |
| CLT | N53508016 | 56000 | top | vertical | 32 |

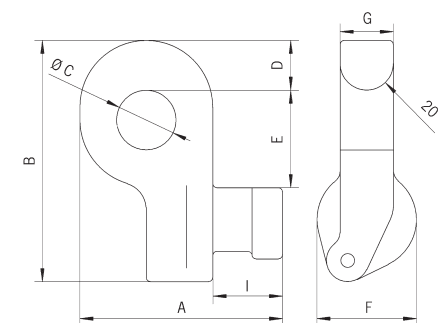
*set of 4 pieces Spare lock pin: N4300004618

Dimensions CLB and CLT

| Model | CLB32000 | CLB50000 | CLT56000 |
|---------|----------|----------|----------|
| A, mm | 152 | 152 | 123 |
| B, mm | 181 | 181 | 217 |
| Ø C, mm | 45 | 45 | 45 |
| D, mm | 37 | 37 | 39 |
| E, mm | 73 | 73 | 57 |
| F, mm | 75 | 75 | 101 |
| G, mm | 40 | 40 | 121 |
| I, mm | 51 | 51 | - |



CLT



CLB